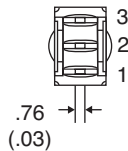
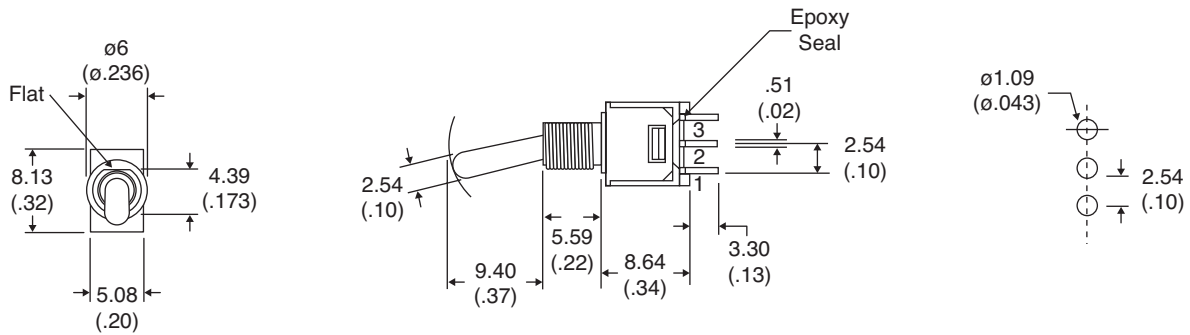


Dimensions: mm (In.)



POS.1	POS.2	POS.3
ON	OFF	ON
2-3	OPEN	2-1

Electrical Specifications:

- Electrical Life: 30,000 make-and-break cycles at full load
- Contact Resistance: 20m Ω max. initial @ 2-4VDC 100mA
- Insulation Resistance: 1,000M Ω min.
- Dielectric Strength: 1,000 V RMS@ sea level.
- Rating: 1A / 250 VAC; 3A / 120 VAC or 28 VDC

Mechanical Specifications:

- Operating Temperature: -30° C to +85° C

Note:

- RoHS Compliant by Exemption

Materials:

- Case: Diallyl phthalate (DAP)
- Acuator: Brass, chrome plated.
- Bushing: Brass, nickel plated.
- Housing: Stainless steel.
- Switch Support: Brass, tin plated.
- Terminal/Contact: Brass, silver plated.

Toggle Switch
108-2MS3T1B1M2QE-EVX

